

Wire-actuated encoder SG10

Compact miniature wire-actuated encoder for recording linear distances with a maximum measurement length of 2 000 mm. Robust and universally usable owing to standardised interfaces.

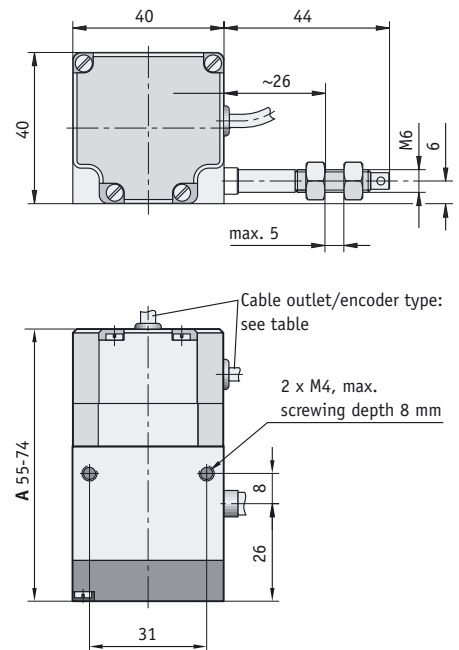


Features:

- easy mounting
- max. measurement length 2 000 mm
- potentiometric or incremental output

Options

- incremental encoder output 10 pulses/mm
- transducer interface 4 ... 20 mA (potentiometric)
- transducer interface 0 ... 10 V (potentiometric)



Encoder type	meas. A	cable outlet
IGV28-0004	74	axial
P10, MWI, MWU: measurement range ≤ 1000 mm	55	axial
P10, MWI, MWU: measurement range > 1000 mm	72	radial

Output circuits/interfaces

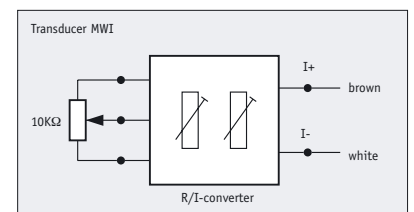


Encoder type MWI: Power source (transducer)

Output current	4 ... 20 mA
Potentiometer	10 kΩ
Operating voltage	15 ... 28 V DC
Load resistance	< 500 Ω
Cable length (connection)	max. 30 m

Transducers...

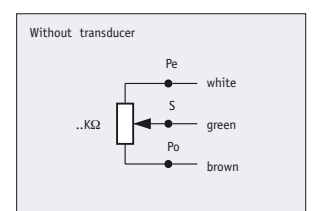
... permit optimum adjustment of the output current to the measurement range. The transducer is factory-preset to provide an output signal of 4 ... 20 mA between start and end points of the measurement range.



Encoder type P10: Potentiometer

Resistance value	10 kΩ
Potentiometer linearity	0,25 %
Resistance tolerance	±5 %
Power rating	1 W
Extension length	0 mm : 0 Ω
Cable length (connection)	max. 30 m

other potentiometer values on request



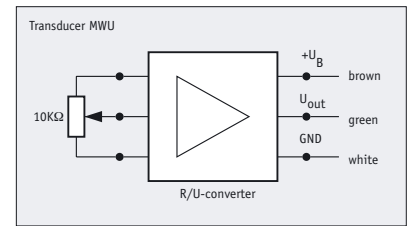


Encoder type MWU: Voltage source 0 ... 10 V DC (transducer)

Output current 0 ... 10 V DC @ 3 mA without load
 Max. load 15 mA
 Operating voltage 15 ... 28 V DC
 Cable length (connection) max. 20 m

Transducers...

... permit optimum adjustment of the output current to the measurement range. The transducer is factory-preset to provide an output signal of 0 ... 10 V DC between start and end points of the measurement range.

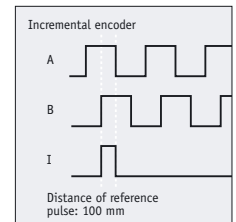


Encoder type: Incremental

Operating voltage 24 V DC ±20 % @ 70 mA
 Output circuit PP
 Output signals ABO
 Resolution 0.1 mm
 Cable length (connection) 2 m

Cable	Pin assignment
black	GND
red	UB
blue	A
white	B
yellow	O
screen	N.C.

Pin assignment IGV28-0004



Feature	Ordering data	Technical data	Additional information
Travel speed		max. 800 mm/s	
Required cable extension force		min. 2 N	
Repeat accuracy		± 0.15 mm	
Working temperature		-10 ... +80 °C without transducer	0 ... 50 °C with transducer
Housing		reinforced plastic	
Cable version		steel cable, stainless, diameter 0.45 mm	
Encoder type of protection		IP50 (potentiometer), IP54 (incremental)	according to DIN VDE 0470
Weight		approx. 200 g	
Test sign/interference protect. class		CE	3 according to IEC 801
Measurement range	500 1000 1250 1500 1750 2000 2000 I	A	measurement range [mm] encoder type* Ω, I, U (potentiometer and transducer) incremental output (IGV28)
Encoder type	P10 MWI MWU IGV28-0004	B potentiometer with 10 kΩ transducer 4 ... 20 mA transducer 0 ... 10 V incremental encoder (only 2000 mm version)	others on request current output voltage output output circuit PP, resolution 0.1 mm, output signals ABO, 2 m cable with flying leads, supply 24 V DC
Cable length	e.g., 0.5 IG	C 0.5 ... 30 m for encoder type P10 or MWI/MWU specified for encoder type "IGV28- ..."	0.5 m standard, see output circuit data 2 m standard, other cable lengths on request

Your order: - - -